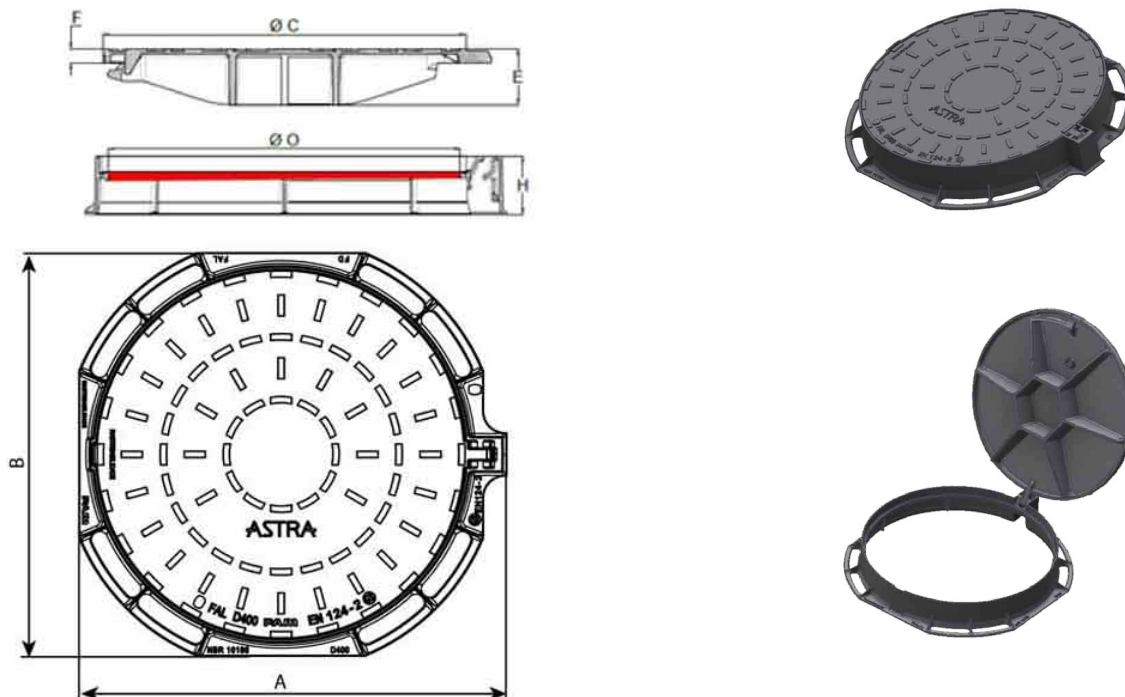


Manhole Cover ASTRA Class D400 Round frame Ø 742 – Non Ventilated



AxB	C	O	H	E	F	Norma	Celková hmotnost	Hmotnost víka	Balení	Kód
mm	mm	mm	mm	mm	mm	N/mm ²	kg	kg		
725x685	624	605	100	96	25	7.09 (max EN124:7.5)	36.0	24.0	7	CDAS60AD

Material and coating:

- Frame and cover in Ductile Iron EN GJS 400-15: bituminous coating
- Ring in PE

Field of application:

- Group 4 (class D 400) in accordance with EN124-2 standard: areas bearing low traffic conditions, predominantly defined as private cars passing at restricted speed, typical conditions met in housing areas
- Periodic inspection and visit of sewer mains

		09/08/2021
		VD40REUAST100

Main characteristics:

Cover

- Automatic locking by ductile iron spring bar
- Unlocking by means of crow bar or pick axe, manual lifting
- Ventilated or not
- Hinged cover, opens to 110°, blocks at 90° when closing
- Anti-theft spline option
- Cover 90° turn lock option
- Badging: exclusively generic markings such as e.g. “sewers”, “water”, “rain water”, etc...

Frame

- Optimised frame

Frame bedding

- Reduced frame width logically increases its bearing pressure on chamber top, when submitted to load.
- It is key to ensure that the frame is completely seated on the chamber top, without any cantilever. If necessary, a spare concrete ring can be used between chamber top and frame to improve its seating.
- Frame bedding must be achieved with Class CPA 500 concrete, or with quick setting mortars featuring a minimum resistance to compression of 50 MPa.